

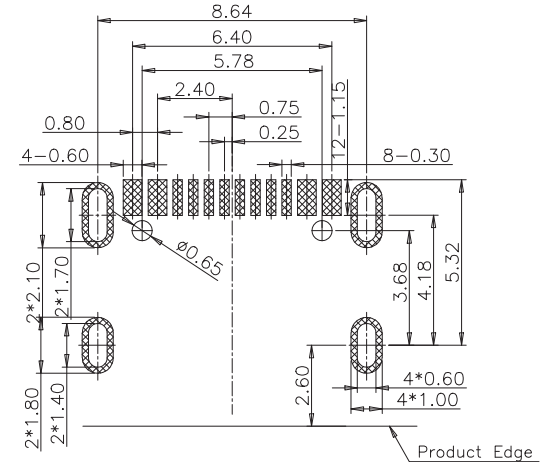
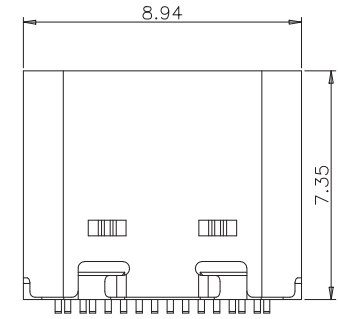
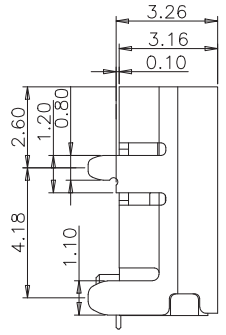
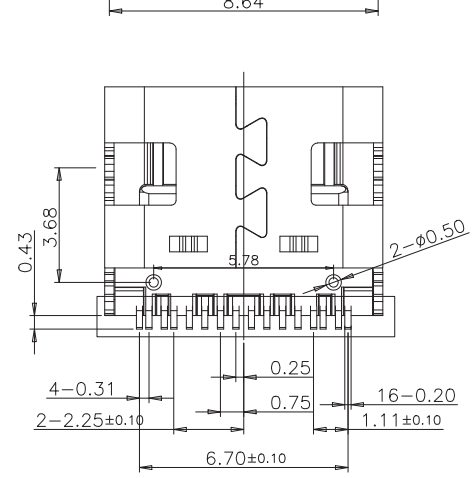
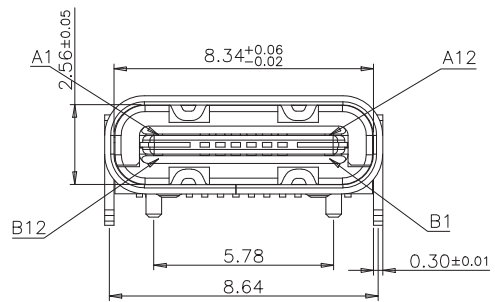
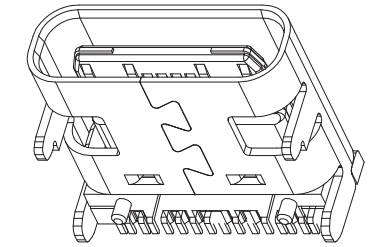
REV.	ECN NO OR DESCRIPTION	REVISED	DATE
A	PROPOSE ONLY	ERIC	2014.08.13

SPECIFICATIONS:

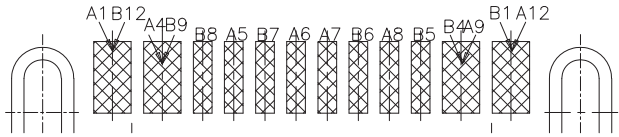
- ELECTRICAL CHARACTERISTICS:
 - CONTACT RESISTANCE: 30mOHM MAX.
 - DIELECTRIC WITHSTANDING VOLTAGE: 100V AC FOR ONE MINUTE.
 - INSULATION RESISTANCE: 100MOHM MIN. MEASURED BY 500 VDC
- MECHANICAL CHARACTERISTICS:
 - INSERTION FORCE :0.5-2.0Kgf(REF.)
 - WITHDRAWAL FORCE :0.8-2.0Kgf(REF.)
- LIFE TEST: 10,000 CYCLES.
- TO CONFORM TO THE KRCONN HAZARDOUS SUBSTANCE FREE SPEC.
- PART No.: MC 1 R - 32 01 14- 11

MC=MICRO USB TYPE C
 1=WITH POST
 R=RECTACLE
 32:HEIGHT 3.2mm

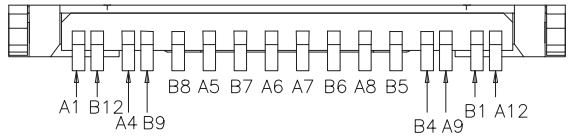
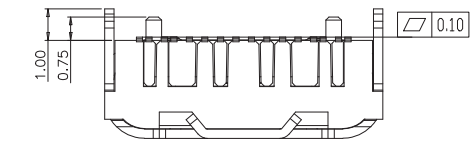
G=gold flash
 11=DIP+DIP L=7.3 TYPE
 Pin NO. 14=14Pin
 01=ON BOARD



RECOMMENDED P.C.B. LAYOUT (T:1.00mm)
 TOLERANCE UNSPECIFIED ±0.05mm



俯视图



背面

A1	GND	B12	GND
A4	VBUS	B9	VBUS
A5	CC1	B8	SBU2
A6	DP1 D+	B7	DN2 D-
A7	DN1 D-	B6	DP2 D+
A8	SBU1	B5	CC2
A9	VBUS	B4	VBUS
A12	GND	B1	GND
PIN	SIGNAL NAME	PIN	SIGNAL NAME

6	SHELL	STAINLESS STEEL	Ni Plated	1PCS
5	SHIELDING PLATE	STAINLESS STEEL	---	1PCS
4	MD	HIGH TEMPERATURE PLASTIC	BLACK	1PCS
3	CONTACT	COPPER ALLOY	Au/Ni Plated	1SET
2	CONTACT	COPPER ALLOY	Au/Ni Plated	1SET
1	HOUSING	HIGH TEMPERATURE PLASTIC	BLACK	1PCS
NO.	DESCRIPTION	MATERIAL	REMARKS	QTY

UNLESS OTHERWISE SPECIFIED TOLERANCES

DECIMALS: ANGLES:

TITLE: Micro USB 2.0(type.C) 14PIN RECTACLE Conn Asm on PCB 4DIP TYPE L=7.35MM

X :±0.5 X :±2°

X.X :±0.20 X.X :±1°

X.XX :±0.10

DWN Johnie PART NO. CLK-320114-12G

CHKD Kevin.d SCALE:1:1 UNIT: mm

APVD Simon.Mo SIZE: A4 SHEET:10F1 REV: A

CUSTOMER COPY

